

## Multi-Purpose Grinding Head KS-1210



### Applications

The KS-1210 is used for the following applications:

with grinding belt:

- the internal and external grinding of surfaces
- the grinding of internal and external longitudinal and circumferential weld seams

with grinding disc:

- internal and external back gouging of longitudinal and circumferential weld seams
- internal and external bevel edge grinding in tulip-shaped form on butted plates.

### Technology

Combination of grinding belt, grinding disc and steel brushes if required. This combination allows virtually any grinding work on vessels.

The floating grinding head follows automatically any run-outs of the workpiece with constant pressure.

The precise adjustment of the grinding pressure with a pneumatic control system and a belt oscillation ensures an optimal utilization of the grinding belts. Pneumatic belt tension and belt running correction.

The KS-1210 can be converted from belt grinding to wheel grinding or brushing in a very short time.

Optimal tulip-shaped welding grooves through inclined position of the grinding disc.

### Performance

Very high rates of material removal.

with grinding belt:

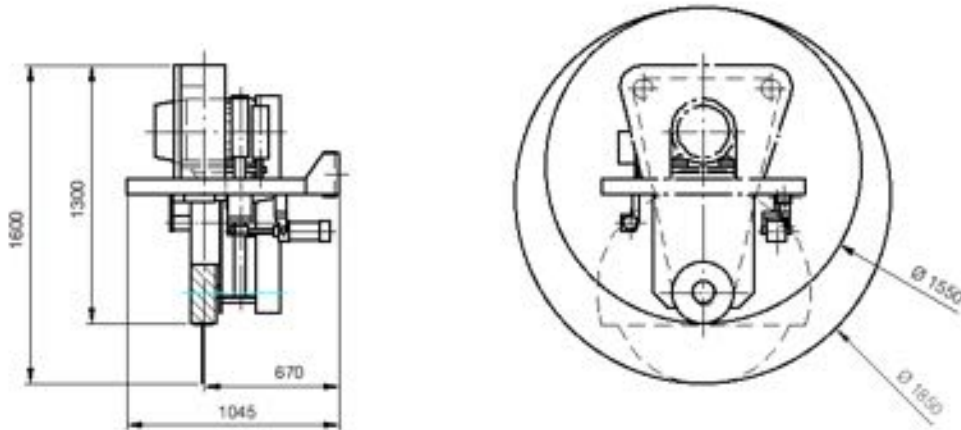
- low alloy steel up to 800 g/min.
- stainless steel up to 520 g/min.

with grinding disc:

- low alloy steel up to 600 g/min.
- stainless steel up to 400 g/min.

Reproducible groove shapes with clean metallic surfaces, no carburization and no hardening cracks. Welding defects are therefore largely eliminated.

## Multi-Purpose Grinding Head KS-1210



### Technical data

free play of the grinding head	$\pm 60$ mm
compensation of axial movement	$\pm 50$ mm
grinding pressure adjustable from	0 to 1000 N
smallest internal diameter to be grind	
with grinding belt, without dust extraction	1550 mm
with grinding disc, without dust extraction	1850 mm
with dust extraction	2300 mm
power	22 kW
max. grindable groove depth	230 mm

### Dimensions

height, with belt	1300 mm
height, with disc	1600 mm
width	1000 mm
length	1045 mm
contact wheel	$\varnothing$ 300 mm x 50/100/125 mm
grinding belt	50/100/125 mm x 3250 mm
grinding disc	min $\varnothing$ 650 mm, max $\varnothing$ 900 mm 6-20 mm thick

### Weight

grinding head, complete	approx. 650 kg
-------------------------	----------------