

Multi-Purpose Grinding Head KS-760



Application

The KS-760 is used for the following applications:

with grinding belt:

- the internal and external grinding of surfaces
- the grinding of internal and external longitudinal and circumferential weld seam reinforcements

with grinding disc:

- the back gouging of longitudinal weld seams

Technology

With the combination of grinding belts, grinding discs and if required also steel brushes, practically all grinding applications on vessels can be carried out.

The floating grinding head follows automatically any run-outs of the work piece with constant pressure.

The grinding pressure can be set precisely with a pneumatic control system.

The KS-760 can be converted from belt grinding to disc grinding or brushing in a very short time.

Performance

Very high rates of material removal.

with grinding belt:

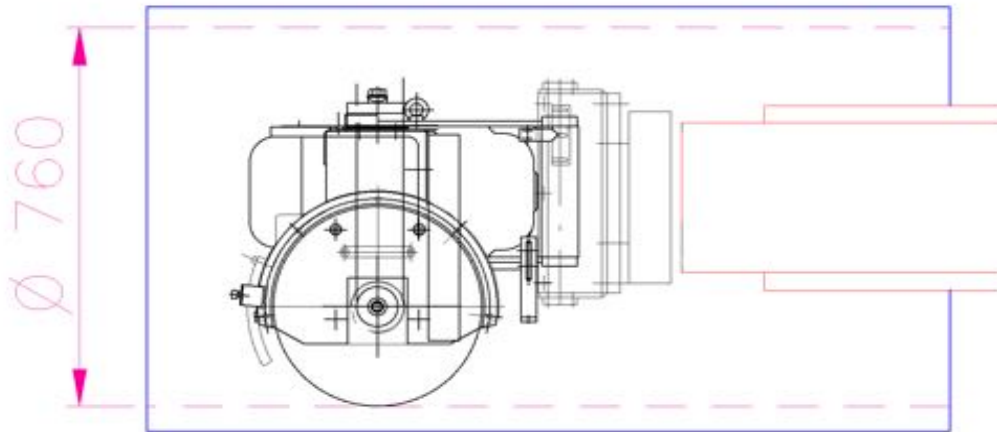
- low alloy steel up to 325 g/min.
- stainless steel up to 210 g/min.

with grinding wheel:

- low alloy steel up to 250 g/min.
- stainless steel up to 160 g/min.

Reproducible groove shapes with clean metallic surfaces, no carbonization, no hardening cracks. Welding defects are therefore largely prevented.

Multi-Purpose Grinding Head KS-760



Technical Data

free floating of the grinding head	± 50 mm
grinding pressure adjustable from	0 to 700 N
smallest internal diameter to be ground	
with grinding belt, without dust extraction	760 mm
with grinding disc, without dust extraction	760 mm
with dust extraction	1000 mm
power	7.5 kW
max. grindable groove depth	60 mm

Dimensions

height, with belt	620 mm
height, with disc	650 mm
width	500 mm
length	650 mm
contact wheel	$\varnothing 225$ mm x 75 mm
grinding belts	75 mm x 1500 mm
grinding disc	$\varnothing 400$ mm, 6-16 mm thick

Weight

grinding head, complete	approx. 250 kg
-------------------------	----------------